

## Data sheet

Commercial Art.No.: 25.350.3316.0

PCB pin header 8213 S / 3 G OB THR

PCB pin header, connection method depends on used socket part , 3 poles, with solder pin (2.6mm, tin plated), pitch: 5.08 mm, type of packing: Tape on reel, color: black, This product can be soldered by reflow and wave soldering,



Commercial Art.No.	25.350.3316.0
EAN	4015573868823
Order Unit	170

Certificates / Approvals



## Technical data

### General

Modular spacing	5.08 mm
Soldering process	THR
Packaging	Tape on Reel
Number of poles	3
Number of levels	1
Marking	No
Fastening	None
Mating direction towards (circuit) board	90°

### Technical data

Rated current	12 A
Overvoltage Category I	1000 V
Overvoltage Category II	400 V
Overvoltage Category III	250 V
Rated impulse voltage	4 kV

### Technical Data UL/CSA

Voltage UL	300 V
Current field wiring	15 A
Current factory wiring	15 A
Voltage CSA	300 V
Current CSA	15 A

### Other

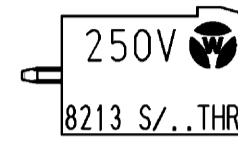
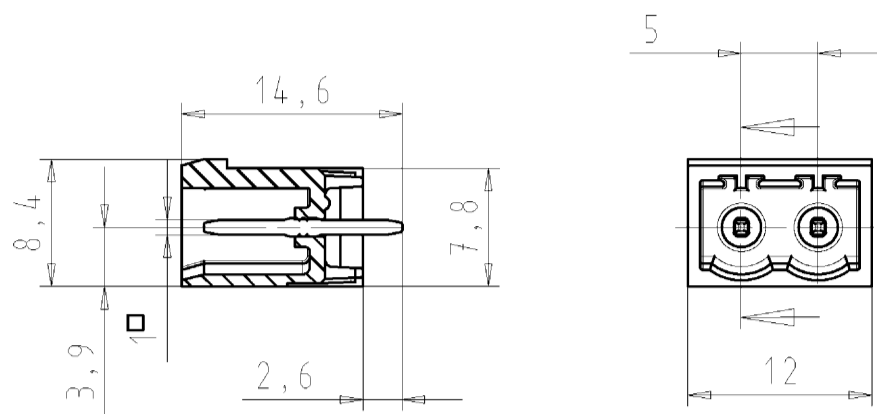
Type of insulation material	Thermoplastic
-----------------------------	---------------

Color	black
Height	12 mm
Length	17.24 mm
Depth	8.4 mm
Material contact base	CuZn
Material contact surface	Sn

**Classification**

ECLASS 8.1	27440402
ETIM 7.0	EC002637
ETIM 6.0	EC002637
ETIM 5.0	EC002637
ETIM 4.0	EC002637

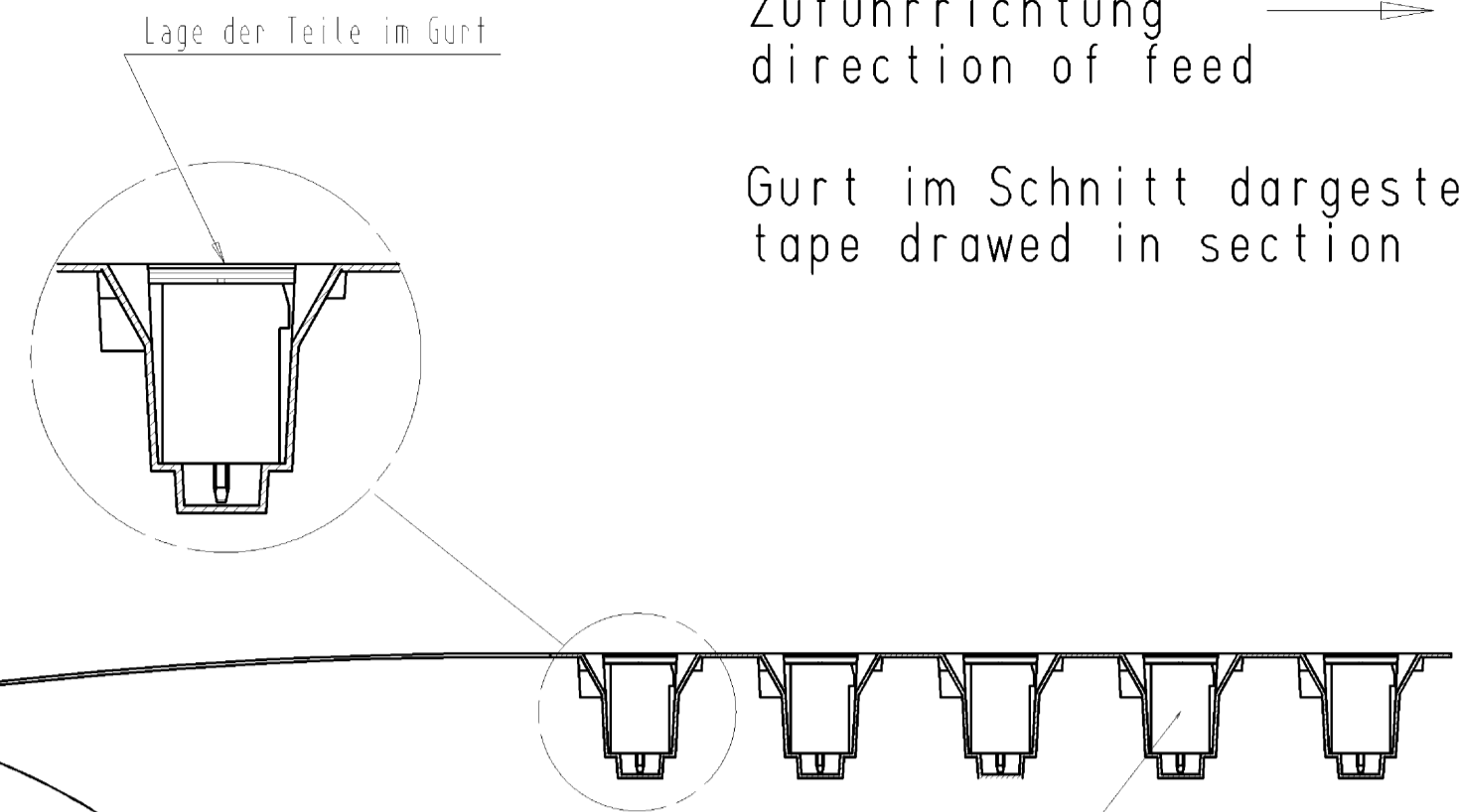
LP-Stiftleiste  
8213 S / 2 THR  
25.350.3296.0



gezeichnete Ausführung 2-polig  
drawn version 2-poles

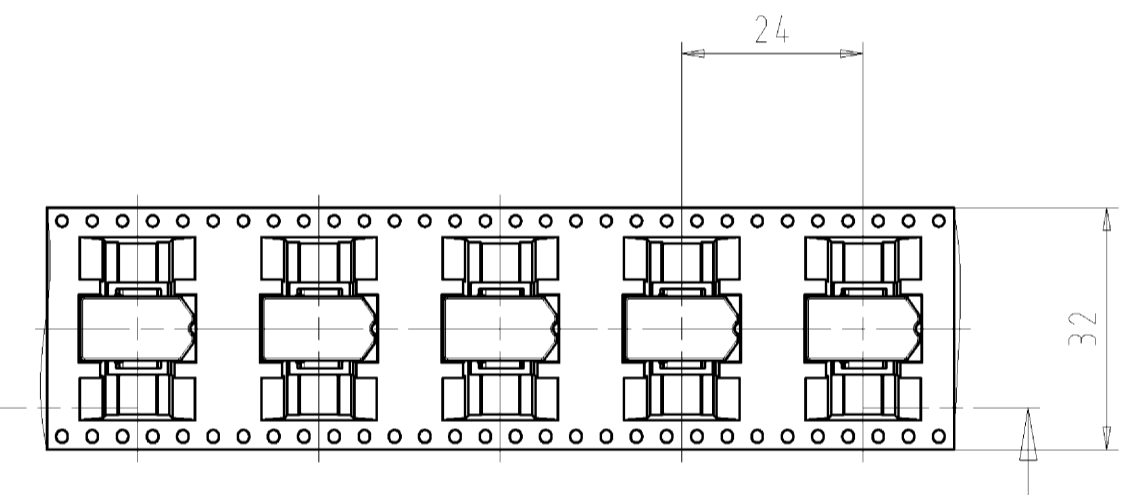
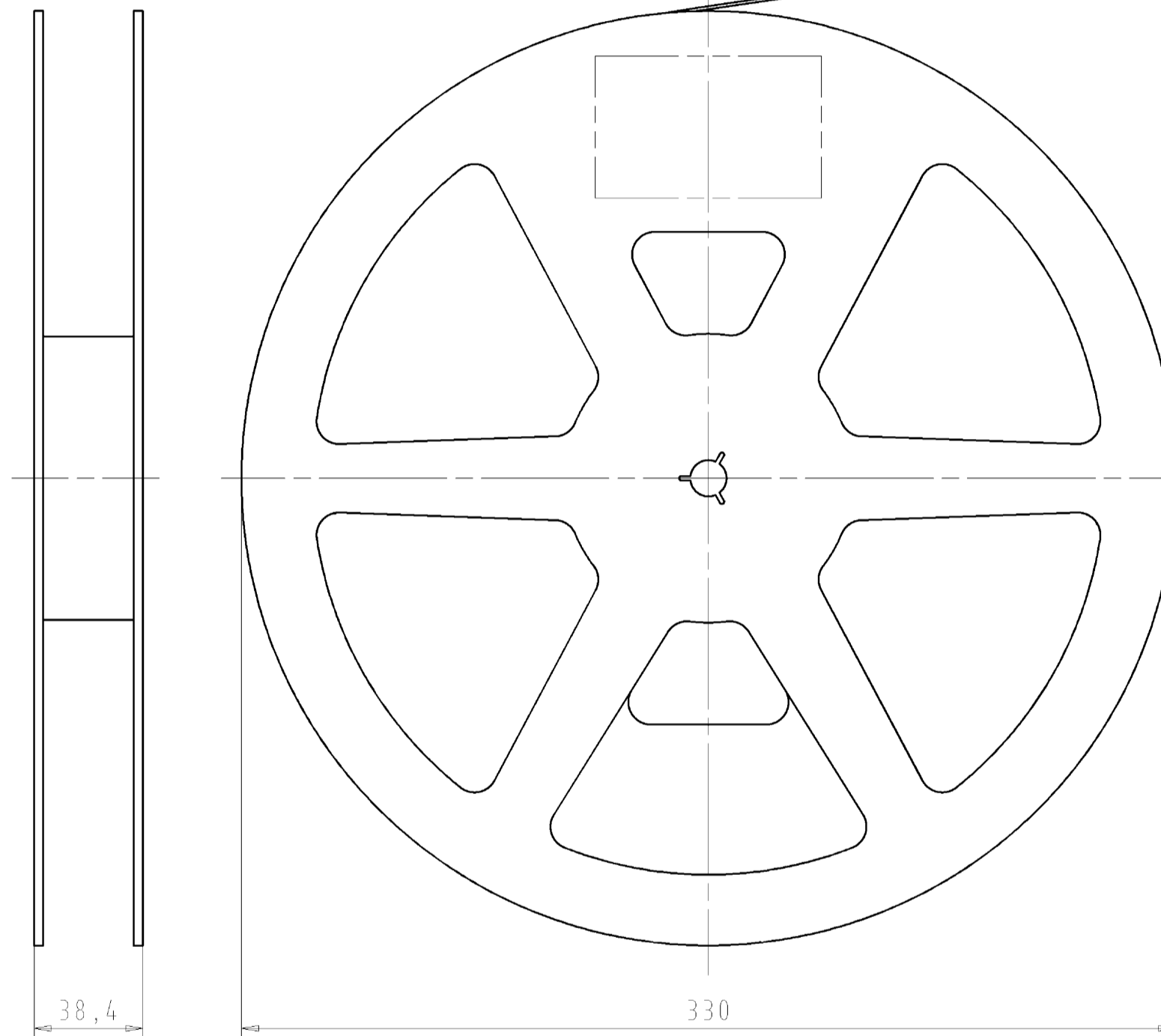
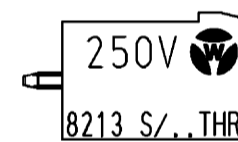
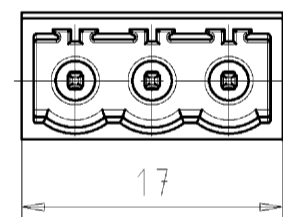
Zuführrichtung  
direction of feed

Gurt im Schnitt dargestellt  
tape drawn in section

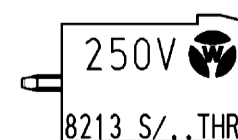
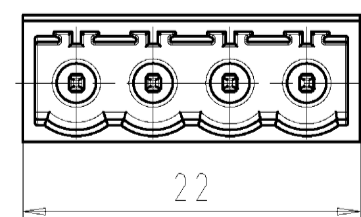


170 x Pos.1

LP-Stiftleiste  
8213 S / 3 THR  
25.350.3396.0



LP-Stiftleiste  
8213 S / 4 THR  
25.350.3496.0



170 Teile pro Tape on Reel  
Gurtung und Spule nach DIN IEC 60286-3  
Gurtvorlauf nach DIN IEC 60286-3  
Gurtnachlauf nach DIN IEC 60286-3  
Spule und Gurt sind antistatisch.  
170 parts per tape on reel  
tape on reel according to DIN IEC 60286-3  
tape feed according to DIN IEC 60286-3  
tape supply according to DIN IEC 60286-3  
reel and tape are antistatic

Teile-Nr. part-no.	Pos.1
25.350.3216.0	25.350.3296.0
25.350.3316.0	25.350.3396.0
25.350.3416.0	25.350.3496.0

Zulässige Abweichungen nach DIN 7167/Permissible deviations acc. to DIN 7167. (This DIN-standard describes the envelope principle. According to the envelope principle the deviations of form and parallelism are limited by the size tolerances).		ja/yes <input checked="" type="checkbox"/> Stoffverbots- und Deklarationsliste nach UU-TQM-05/03 ist einzuhalten. List of banned and declarable substances according to Wieland document e-UU-TQM-05/03 is to obey.	
Freitoleranz nach General tolerance	-	CAD - Zeichnung, keine manuellen Änderungen CAD - drawing, no manual modifications allowed	1. Verwendung: First Use: -
Werkstoff/Material	2013	Tag/Date	Name
gezeichnet drawn	26.02.	Eiler	T
geprüft checked	-	-	-
Werkzeug Tool	-	-	-
Stand. check	-	-	-
Zeichnung Nr./Drawing No.		Index	
25.350.3216.0 01K			
Maße in mm/Dimensions are in mm			
Ersatz für/Replacement for: -		Benennung/Title	
wieland		TAPE_ON_REEL	
Elektrische Verbindungen		LP-Stiftleiste 8213 S / 2 THR gerade	
Index	Datum / Blatt Date / Sheet		
Änderung/Revision			

Weitergabe sowie Vervielfältigung dieses Dokuments, Verwertung und Mitteilung seines Inhalts sind verboten, soweit nicht ausdrücklich gestattet. Die Reproduktion, Distribution und Utilization of this document as well as the communication of its contents to others without express authorization is prohibited.

25350321601K\_2 CAD35070 U0016726 2015-02-26TH 1:15 1:000